

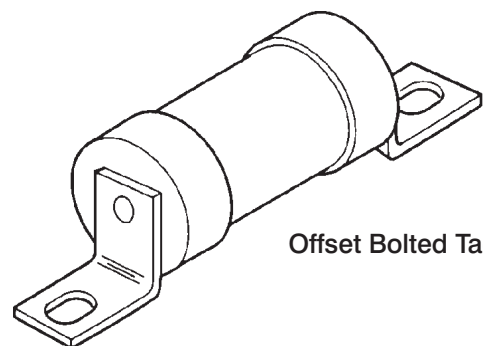
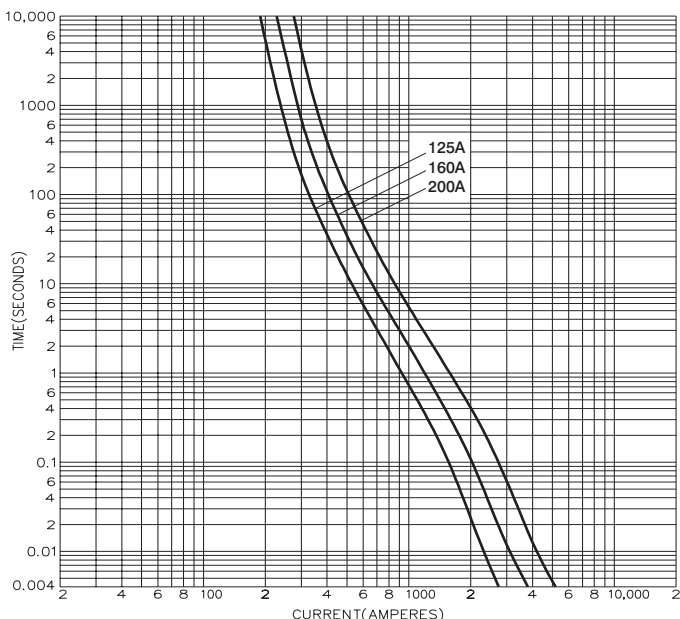
# BS88, IEC269

## Industrial HRC Fuse Links 660V Range

### Offset Bolted Tags

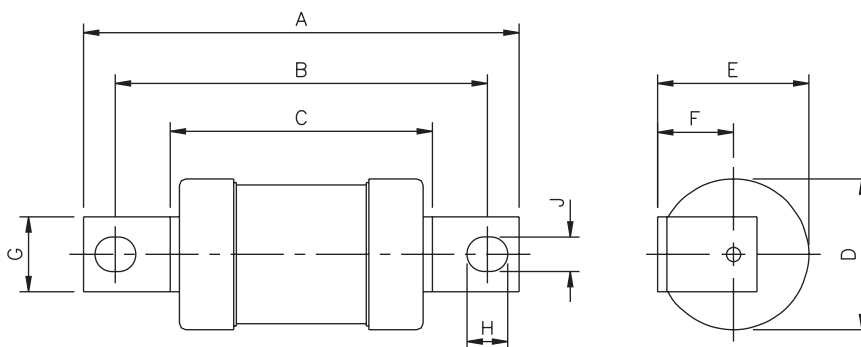
# M14-660

#### Time-Current Characteristic Curve



Offset Bolted Tag

Dimensional Data



**Carton Quantities:**  
All the M14 range are packed in 5's

**Ordering Code:**  
Rating followed by M14-660

Catalog Number	I <sup>2</sup> t (Ampere <sup>2</sup> Seconds)					Nom. Watts Loss	Rated Voltage	Dimensions (mm)								
	Amp Ratings	Pre-Arcing	Total at 415V	Total at 550V	Total at 660V			A	B	C	D	E	F	G	H	J
M14-660	125	33,000	59,000	84,000	165,000	10	660V ac 400V dc	112.0	94.0	66.0	38.0	38.0	19.0	19.0	10.0	8.5
M14-660	160	67,000	120,000	170,000	335,000	13										
M14-660	200	120,000	210,000	300,000	590,000	16										

This bulletin is intended to clearly present comprehensive product data and provide technical information that will help the end user with design applications. Bussmann reserves the right, without notice, to change design or construction of any products and to discontinue or limit distribution of any products. Bussmann also reserves the right to change or update, without notice, any technical information contained in this bulletin. Once a product has been selected, it should be tested by the user in all possible applications.



**Bussmann Division**  
Cooper (U.K.) Ltd  
Burton-on-the-Wolds  
Leicestershire, LE12 5TH  
United Kingdom  
Tel: (44) (0)1509 88 27 37  
Fax: (44) (0)1509 88 27 86

Head Office  
St. Louis, MO, U.S.A. Tel: (314) 527-3877 Fax: (800) 544-2570 International Fax: (314) 527-1445



Bussmann Information Fax (00 1) 314 527 1450

M14 11.96  
Doc. No. 4153